

Industrial Mercmaster™ LED Generation 3 Series Luminaires For Ordinary Locations

NEC/CEC:
cULus Listed
Type 3R, 4, 4X
IP66/IP67
Suitable for Use in Wet Locations
Marine Outside Type (Salt Water) for USA only

Applications

- Powerful, efficient weatherproof lighting suitable for use in:
 - Warehouses
 - Storage facilities
 - Machine shops
 - Receiving areas
 - Manufacturing plants
 - Walkways and catwalks
 - Locations requiring IP66, Type 4X, marine and wet location
 - Locations requiring dependable, consistent lighting in extreme hot/cold temperature environments
 - Areas of low clearance, low ceiling heights or where fixture weights must be minimized
- Typical harsh industrial environments include:
 - Power generation plants
 - Foundries
 - Waste and sewage treatment plants
 - Steel and other metal processing facilities
 - Pulp and paper mills
 - Processing plants
 - Other areas where dust, water, dirt and rough usage are a problem

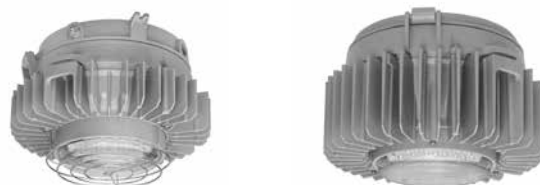
Features

- Modular design provides thousands of combinations for maximum versatility.
- Design is suited for low mounting heights, from 7 ft., up to 30 ft.
- Seven light outputs provide up to 17,500 lumens.

Nominal Lumens ①	HID Equivalent	Model Number
3500	70-100W	IMLGL3
5500	100-150W	IMLGL5
7500	175-250W	IMLGL7
9500	250-350W	IMLGH9
11,500	350-400W	IMLGH1
14,500	400W	IMLGH3
17,500	400-600W	IMLGH6

① Nominal lumen value for 5000K, clear glass globe
Type V wide. Detailed lumen information is provided in tables.

- Choice of optics for optimal light distribution in a variety of applications: Type I, Type III, Type V or Type V Wide.
- Choice of color temperature (CCT): 5000K cool white, 4000K neutral white or 3000K warm white.
- Customize to the application requirements with four different globe options: clear and diffused polycarbonate, clear glass, or prismatic glass refractor.
- Six standard mounting hood designs allow for mounting in any location. Uses same mounting hoods as Mercmaster™ III.
- Retrofit adapters for Crouse-Hinds™ hoods available. See Mercmaster™ CH Adapters.
- Retrofit adapters for Mercmaster™ II hoods available. See Mercmaster™ II Adapters.
- Hinge has high lip for added safety during installation and servicing. Hinge and bolt construction assures 360° compression at all points on fixture housing gasket for positive sealing. Swing away design of captive bolt and nut simplifies installation.
- Rugged housing with superior thermal design translates to long luminaire life.
- Luminaire housing has wiring compartment with terminal block separate for easy wiring access.



IMLGL

IMLGH

- Standard screw-type terminal block can accept UL/CSA 26-10 AWG wire.
- Standard 6 kV surge protection.
- Heavy duty, high temperature silicone gaskets.
- Photometric data and electronic drawings available upon request.
- Ambient Temperature: -40 °C to +65 °C (-40 °F to +149 °F)
- Standard NPT threads with M20 option.
- LED L70 reported at 60,000 hours.
- Field replaceable globes and LED driver.

Options

- Globe and refractor guards available, purchase separately
- Safety cable available, purchase separately
- All Mercmaster™ luminaires have provision for fusing; add suffix -F at the end of the catalog number.
- Photocontrols are available and are configured to your operating voltage. Add suffix -1 for 120V, -2 for 208V, -3 for 240V, -4 for 277V.
- Drain is available to divert water existing in the conduit system, purchase separately.

Standard Materials

- Mounting hoods and bodies: cast copperfree (4/10 of 1% max.) aluminum
- Gaskets: silicone
- All hardware and catch assemblies: stainless steel
- Globe: polycarbonate or glass
- Refractor: heat-resistant prismatic glass
- Glass globe guard and safety cable: stainless steel wire
- Glass refractor guard: die cast aluminum

Standard Finishes

- Mounting hoods, bodies and glass refractor guard: gray epoxy powder coat finish, electrostatically applied for complete uniform protection

Related Products

- Mercmaster™ LED Generation 3 Luminaires
- Mercmaster™ LED Low Profile Luminaires
- Mercmaster™ LED Mounting Adapters

NEC/CEC Certifications and Compliances

- UL Standard: UL 1598; UL 50E; UL1598A; UL 8750
- CSA Standard: C22.2 No. 250.0; C22.2 No. 250.13; C22.2 No. 94.2; C22.2 No. 0; C22.2 No. 60529
- NEMA ANSI/IEC Standards: 60529
- cCSAus: 164460, Certificate Number: 70129364

Design Lights™ Consortium

- Pending.

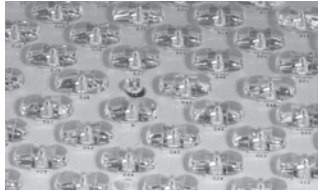
NEC/CEC ENCLOSED AND GASKETED – AREA

APPLETON™

Industrial Mercmaster™ LED Generation 3 Series Luminaires For Ordinary Locations

NEC/CEC:
cULus Listed
Type 3R, 4, 4X
IP66/IP67
Suitable for Use in Wet Locations
Marine Outside Type (Salt Water) for USA only

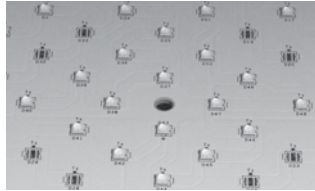
LED Flexibility and Modular Design



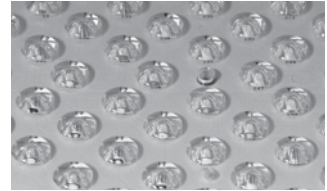
Type I - Long and narrow distribution pattern designed with walkways in mind.



Type III - Wall mounted distribution pattern designed where you need good forward light projection.



Type V - Symmetrical circle distribution pattern ideal when you need even coverage in all directions.



Type V Wide - Like the Type V distribution pattern with more vertical lumens designed to help spread the light quicker and more outwards.

Choose from **three color temperatures** (CCT): 3000K, 4000K, and 5000K

Four light distribution patterns: Type I, Type III, Type V and Type V wide for application flexibility.

Six mounting hoods allow one fixture to be configured for ceiling, pendant, stanchion, or wall applications.

Four globes; clear and diffused polycarbonate, clear glass globe, and prismatic refractor provide just the right level of diffusion.

Safety Features



Latch Assembly and Hinge: Captive, stainless steel latch assembly (bolt and nut) closes securely while providing resistance to corrosive atmospheres.

Swing-away design simplifies wiring and installation. Extra high hinge provides additional protection against accidental driver housing disengagement during installation or maintenance.

Designed for the Environment



Driver housing design incorporates separate sections for the terminal block and driver.

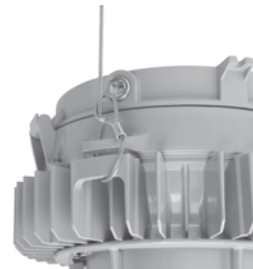
The efficient thermal design ensures reliable heat transfer from the LED assembly out via the heatsink and the cast, epoxy powder coat, aluminum body.

Type I & Type III Hinge System



Type I & Type III light distribution patterns use a multiple hinged housing design which allows you to correctly line up the beam pattern in your desired direction. By using one of the three available hinges you can position the fixture for optimal light output.

Safety Cable



Safety cable is slipped around the housing through retention points that are casted in. Safety cable has built in loops combined with a locking carabiner to allow for a quick and secure installation.

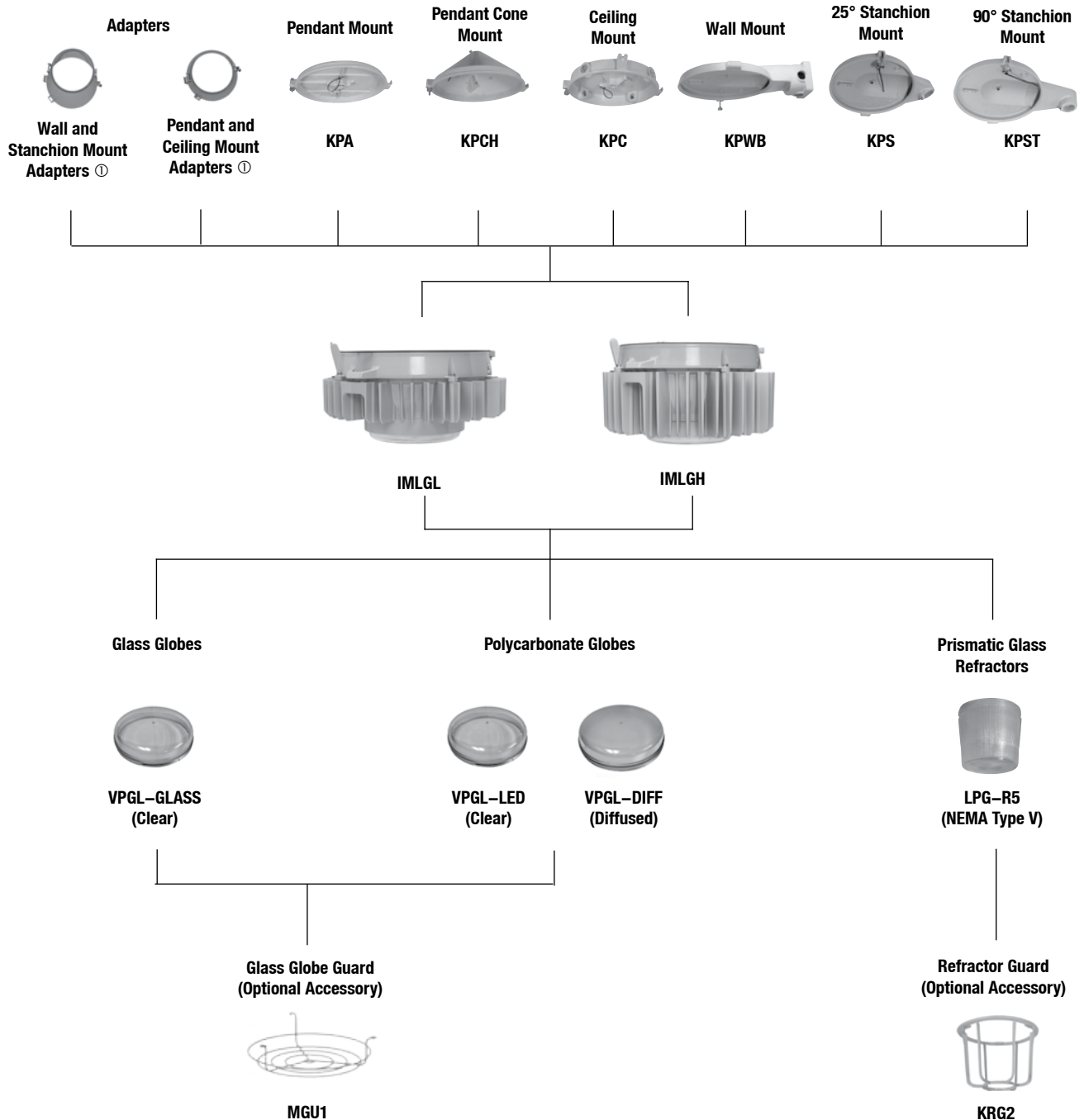
NEC/CEC ENCLOSED AND GASKETED – AREA

APPLETON™

Industrial Mercmaster™ LED Generation 3 Series Luminaires For Ordinary Locations

NEC/CEC:
cULus Listed
Type 3R, 4, 4X
IP66/IP67
Suitable for Use in Wet Locations
Marine Outside Type (Salt Water) for USA only

Mercmaster™ LED Family Tree



NEC/CEC ENCLOSED AND GASKETED – AREA

APPLETON™

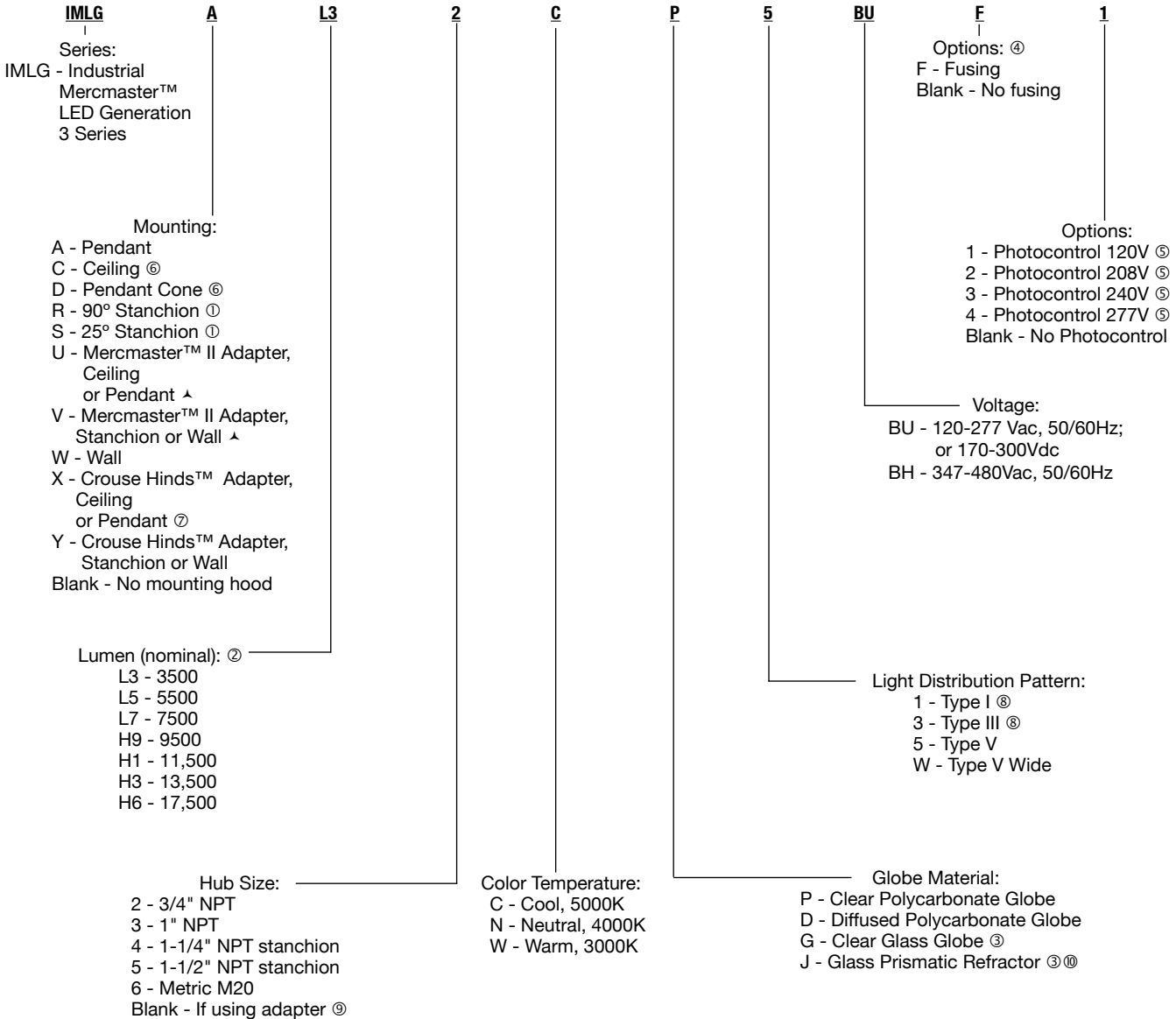
① See mounting hood section for part numbers.

Industrial Mercmaster™ LED Generation 3 Series Luminaires

For Ordinary Locations

NEC/CEC:
 cULus Listed
 Type 3R, 4, 4X
 IP66/IP67
 Suitable for Use in Wet Locations
 Marine Outside Type (Salt Water) for USA only

Order using catalog numbering guides below or select catalog number from tables on following pages.



NEC/CEC ENCLOSED AND GASKETED - AREA

APPLETON™

① 3/4" NPT, 1" NPT and Metric M20 hub entries are not offered in this mounting option
 ② For lumen output information, see Lumen Values Table.
 ③ Guards for the glass refractors and globes are ordered separately. See the Accessories for more information.
 ④ Fusing only permitted for cCSAus rating. Factory installed. Use of fuse voids Marine Outside Type (Salt Water) rating. Fusing is mounted in the driver housing. For retrofit applications, fusing must be removed from the mounting hood and ordered in the luminaire.
 ⑤ Luminaires with photocontrol are not rated IP66/67, Class II, 3R, 4, 4X, or Marine Outside Type (Salt Water). Photocontrol available for 120-277 Vac only. Factory installed in the mounting hood.
 ⑥ Ceiling-mount and pendant cone luminaires and adapters are not designed to use the photocontrol. Ceiling and pendant cone mounts must use an FS/FD box with photocontrol. Contact your local sales rep for more information.
 ⑦ Only allowed for Type V and Type V wide light distribution.
 ⑧ Type I and Type III use a multiple hinge housing.
 ⑨ Hub size does not apply to luminaires ordered with adapters.
 ⑩ J-Glass prismatic refractor is only available in light distribution pattern, Type V. Refractor is not rated for ATEX/IECEX.
 ▲ Adapters only certified for cCSAus.

Industrial Mercmaster™ LED Generation 3 Series Luminaires

For Ordinary Locations

NEC/CEC:
 cULus Listed
 Type 3R, 4, 4X
 IP66/IP67
 Suitable for Use in Wet Locations
 Marine Outside Type (Salt Water) for USA only

Lumen Values Table ①②

		Lumen Output (Efficacy) for Clear Polycarbonate Globe						
		IMLGL3	IMLGL5	IMLGL7	IMLGH9	IMLGH1	IMLGH3	IMLGH6
Type I	5000K CCT, 70 CRI	3200 (107)	4800 (104)	7500 (132)	9400 (125)	11500 (124)	13800 (120)	16900 (117)
Type III	5000K CCT, 70 CRI	3500 (117)	5200 (113)	7900 (139)	9800 (131)	12000 (129)	14500 (126)	17500 (121)
Type V	5000K CCT, 70 CRI	3800 (127)	5700 (124)	8500 (149)	10800 (144)	13200 (142)	15900 (138)	19100 (132)
Type V Wide	5000K CCT, 70 CRI	3300 (110)	5000 (109)	7700 (135)	9700 (129)	11800 (127)	14300 (124)	17400 (120)
Type I	4000K CCT, 80 CRI	2800 (93)	4200 (91)	6600 (116)	8400 (112)	10200 (110)	12300 (107)	15100 (104)
Type III	4000K CCT, 80 CRI	3000 (100)	4600 (100)	7000 (123)	8800 (117)	10700 (115)	12900 (112)	15600 (108)
Type V	4000K CCT, 80 CRI	3300 (110)	5000 (109)	7500 (132)	9700 (129)	11800 (127)	14200 (123)	17100 (118)
Type V Wide	4000K CCT, 80 CRI	2900 (97)	4400 (96)	6800 (119)	8700 (116)	10500 (113)	12700 (110)	15500 (107)
Type I	3000K CCT, 80 CRI	2600 (87)	3800 (83)	6000 (105)	7800 (104)	9500 (102)	11400 (99)	13900 (96)
Type III	3000K CCT, 80 CRI	2800 (93)	4100 (89)	6300 (111)	8100 (108)	9900 (106)	11900 (103)	14400 (99)
Type V	3000K CCT, 80 CRI	3000 (100)	4500 (98)	6800 (119)	8900 (119)	10900 (117)	13100 (114)	15700 (108)
Type V Wide	3000K CCT, 80 CRI	2700 (90)	4000 (87)	6200 (109)	8000 (107)	9700 (104)	11700 (102)	14000 (97)

		Lumen Output (Efficacy) for Clear Glass Globe						
		IMLGL3	IMLGL5	IMLGL7	IMLGH9	IMLGH1	IMLGH3	IMLGH6
Type I	5000K CCT, 70 CRI	3500 (117)	5300 (115)	8000 (140)	9900 (132)	12000 (129)	14500 (126)	17700 (122)
Type III	5000K CCT, 70 CRI	3700 (123)	5400 (117)	8300 (146)	10400 (139)	12600 (135)	15300 (133)	18400 (127)
Type V	5000K CCT, 70 CRI	4000 (133)	6000 (130)	9100 (160)	11200 (149)	13600 (146)	16400 (143)	19900 (137)
Type V Wide	5000K CCT, 70 CRI	3600 (120)	5400 (117)	8200 (144)	10300 (137)	12500 (134)	15100 (131)	18200 (126)
Type I	4000K CCT, 80 CRI	3100 (103)	4600 (100)	7100 (125)	8800 (117)	10700 (115)	12900 (112)	15700 (108)
Type III	4000K CCT, 80 CRI	3200 (107)	4800 (104)	7300 (128)	9300 (124)	11300 (122)	13600 (118)	16400 (113)
Type V	4000K CCT, 80 CRI	3600 (120)	5300 (115)	8100 (142)	10100 (135)	12300 (132)	14900 (130)	18000 (124)
Type V Wide	4000K CCT, 80 CRI	3200 (107)	4800 (104)	7300 (128)	9200 (123)	11200 (120)	13500 (117)	16300 (112)
Type I	3000K CCT, 80 CRI	2800 (93)	4200 (91)	6400 (112)	8100 (108)	9900 (106)	12000 (104)	14500 (100)
Type III	3000K CCT, 80 CRI	2900 (97)	4400 (96)	6600 (116)	8600 (115)	10400 (112)	12600 (110)	15100 (104)
Type V	3000K CCT, 80 CRI	2800 (93)	4800 (104)	7500 (132)	9300 (124)	11400 (123)	13700 (119)	17000 (117)
Type V Wide	3000K CCT, 80 CRI	2900 (97)	4300 (93)	6600 (116)	8500 (113)	10300 (111)	12500 (109)	15000 (103)

		Lumen Output (Efficacy) for Diffused Polycarbonate Globe						
		IMLGL3	IMLGL5	IMLGL7	IMLGH9	IMLGH1	IMLGH3	IMLGH6
Type V	5000K CCT, 70 CRI	3700 (123)	5500 (120)	8300 (146)	10300 (137)	12500 (134)	15100 (131)	18200 (126)
Type V	4000K CCT, 80 CRI	3200 (107)	4800 (104)	7300 (128)	9200 (123)	11200 (120)	13500 (117)	16300 (112)
Type V	3000K CCT, 80 CRI	2900 (97)	4400 (96)	6600 (116)	8500 (113)	10300 (111)	12500 (109)	15000 (103)

① All lumen values are typical (tolerance +/-10%).

② Diffused polycarbonate globe can be used with Type I, III and V wide. Refer to photometric files for lumen output information.

Industrial Mercmaster™ LED Generation 3 Series Luminaires

For Ordinary Locations

NEC/CEC:

cULus Listed

Type 3R, 4, 4X

IP66/IP67

Suitable for Use in Wet Locations

Marine Outside Type (Salt Water) for USA only

Electrical Ratings ①

	Voltage	Input Power	Input Current (amp)	Power Factor	THD	Model	
BU	120 Vac	30	0.26	>0.9	< 20%	IMLGL3	
	277 Vac	30	0.12				
	170 Vdc	30	0.18	N/A	N/A		
	300 Vdc	31	0.10				
BH	347 Vac	33	0.10	>0.9	< 20%		
	480 Vac	33	0.07				
BU	120 Vac	46	0.39	>0.9	< 20%		IMLGL5
	277 Vac	46	0.17				
	170 Vdc	46	0.27	N/A	N/A		
	300 Vdc	46	0.16				
BH	347 Vac	49	0.14	>0.9	< 20%		
	480 Vac	49	0.11				
BU	120 Vac	57	0.48	>0.9	< 20%	IMLGL7	
	277 Vac	57	0.23				
	170 Vdc	57	0.34	N/A	N/A		
	300 Vdc	57	0.19				
BH	347 Vac	60	0.18	>0.9	< 20%		
	480 Vac	60	0.14				
BU	120 Vac	75	0.64	>0.9	< 20%		IMLGH9
	277 Vac	75	0.29				
	170 Vdc	75	0.45	N/A	N/A		
	300 Vdc	75	0.25				
BH	347 Vac	79	0.23	>0.9	< 20%		
	480 Vac	79	0.17				
BU	120 Vac	93	0.79	>0.9	< 20%	IMLGH1	
	277 Vac	93	0.35				
	170 Vdc	93	0.55	N/A	N/A		
	300 Vdc	93	0.31				
BH	347 Vac	97	0.28	>0.9	< 20%		
	480 Vac	97	0.21				
BU	120 Vac	115	0.99	>0.9	< 20%		IMLGH3
	277 Vac	115	0.44				
	170 Vdc	115	0.68	N/A	N/A		
	300 Vdc	115	0.38				
BH	347 Vac	118	0.34	>0.9	< 20%		
	480 Vac	118	0.25				
BU	120 Vac	145	1.24	>0.9	< 20%	IMLGH6	
	277 Vac	145	0.54				
	170 Vdc	145	0.86	N/A	N/A		
	300 Vdc	145	0.48				
BH	347 Vac	145	0.42	>0.9	< 20%		
	480 Vac	145	0.31				

① All values are typical (tolerance +/-10%).

Industrial Mercmaster™ LED Generation 3 Series Luminaires

For Ordinary Locations

NEC/CEC:
 cULus Listed
 Type 3R, 4, 4X
 IP66/IP67
 Suitable for Use in Wet Locations
 Marine Outside Type (Salt Water) for USA only

Catalog Number for Driver Housing and Globe or Refractor

Lumen Level	CCT	Optics	Clear Polycarbonate Globe ①②③④	Polycarbonate Diffused Globe ①②③④	Clear Glass Globe ①②③④	Refractor ①②③④
3K	5000K	Type I	IMLGL3CP1	IMLGL3CD1	IMLGL3CG1	-
		Type III	IMLGL3CP3	IMLGL3CD3	IMLGL3CG3	-
		Type V	IMLGL3CP5	IMLGL3CD5	IMLGL3CG5	IMLGL3CJ5
		Type V Wide	IMLGL3CPW	IMLGL3CDW	IMLGL3CGW	-
5K	5000K	Type I	IMLGL5CP1	IMLGL5CD1	IMLGL5CG1	-
		Type III	IMLGL5CP3	IMLGL5CD3	IMLGL5CG3	-
		Type V	IMLGL5CP5	IMLGL5CD5	IMLGL5CG5	IMLGL5CJ5
		Type V Wide	IMLGL5CPW	IMLGL5CDW	IMLGL5CGW	-
7K	5000K	Type I	IMLGL7CP1	IMLGL7CD1	IMLGL7CG1	-
		Type III	IMLGL7CP3	IMLGL7CD3	IMLGL7CG3	-
		Type V	IMLGL7CP5	IMLGL7CD5	IMLGL7CG5	IMLGL7CJ5
		Type V Wide	IMLGL7CPW	IMLGL7CDW	IMLGL7CGW	-
9K	5000K	Type I	IMLGH9CP1	IMLGH9CD1	IMLGH9CG1	-
		Type III	IMLGH9CP3	IMLGH9CD3	IMLGH9CG3	-
		Type V	IMLGH9CP5	IMLGH9CD5	IMLGH9CG5	IMLGH9CJ5
		Type V Wide	IMLGH9CPW	IMLGH9CDW	IMLGH9CGW	-
11K	5000K	Type I	IMLGH1CP1	IMLGH1CD1	IMLGH1CG1	-
		Type III	IMLGH1CP3	IMLGH1CD3	IMLGH1CG3	-
		Type V	IMLGH1CP5	IMLGH1CD5	IMLGH1CG5	IMLGH1CJ5
		Type V Wide	IMLGH1CPW	IMLGH1CDW	IMLGH1CGW	-
13K	5000K	Type I	IMLGH3CP1	IMLGH3CD1	IMLGH3CG1	-
		Type III	IMLGH3CP3	IMLGH3CD3	IMLGH3CG3	-
		Type V	IMLGH3CP5	IMLGH3CD5	IMLGH3CG5	IMLGH3CJ5
		Type V Wide	IMLGH3CPW	IMLGH3CDW	IMLGH3CGW	-
17K	5000K	Type I	IMLGH6CP1	IMLGH6CD1	IMLGH6CG1	-
		Type III	IMLGH6CP3	IMLGH6CD3	IMLGH6CG3	-
		Type V	IMLGH6CP5	IMLGH6CD5	IMLGH6CG5	IMLGH6CJ5
		Type V Wide	IMLGH6CPW	IMLGH6CDW	IMLGH6CGW	-

① For 120-277 Vac, 50/60Hz, add suffix **-BU** to catalog number. For 347-480 Vac, 50/60Hz, add suffix **-BH** to catalog number.
 ② For other CCT options, change the 6th digit in part number from "C" to "W" for Warm 3000K CCT or "N" for Neutral 4000K CCT.
 Example: **IMLGL7CP5BU** to "W" for Warm, **IMLGL7WP5BU**.
 ③ Guards are available for fixtures with globe or refractor. See following pages for accessory ordering information.
 ④ For fusing add "F" to end of catalog number. Example: **IMLGL7CP5BUF**.
 Use of fuse voids Marine Outside Type (Salt Water) rating. Only available for cCSAus rating.

NEC/CEC ENCLOSED AND GASKETED – AREA







APPLETON

Industrial Mercmaster™ LED Generation 3 Series Luminaires



For Ordinary Locations

NEC/CEC:
 cULus Listed
 Type 3R, 4, 4X
 IP66/IP67
 Suitable for Use in Wet Locations
 Marine Outside Type (Salt Water) for USA only

Mounting Hoods

	Description Weight in kg (lbs)	Hub Size	Catalog Number
Pendant			
	One Hub, Rigid Mounting 1.0 (2.3)	3/4	KPA-75
		1	KPA-100
		M20	KPA-M20
Pendant Cone			
	One Hub, Rigid Mounting 1.1 (2.5)	3/4	KPCH-75
		1	KPCH-100
		M20	KPCH-M20
Ceiling			
	Five Hubs, Four Close-Up Plugs 1.4 (3.0)	3/4	KPC-75
		1	KPC-100
		M20	KPC-M20
Wall			
	Five Hubs, Four Close-Up Plugs 1.8 (4.0)	3/4	KPWB-75
		1	KPWB-100
		M20	KPWB-M20
25° Stanchion			
	One Hub 1.5 (3.3)	1-1/4	KPS-125
		1-1/2	KPS-150
90° Stanchion			
	One Hub 1.7 (3.8)	1-1/4	KPST-125
		1-1/2	KPST-150

Mounting Hood Adapters

	Manufacturer	Installed Mounting Hood	Appleton Adapter Catalog Number
	Crouse-Hinds™ Champ	APM2/3 - Pendant CM2/3 - Ceiling HPM2 - Flexible Pendant	MMADCHVS
	Appleton™ Mercmaster™ II	LPA75/100 - Pendant LPC75/100 - Ceiling	MMADIIS
	Crouse-Hinds™ Champ	TWM2/3 - Wall JM5 - 25° Angle Stanchion PM5 - 90° Straight Stanchion	MMADCHVA
	Appleton™ Mercmaster™ II	LPWB75, LPWB100 - Wall LPS125, LPS150 - 25° Angle Stanchion	MMADIIA









NEC/CEC ENCLOSED AND GASKETED - AREA

APPLETON™

Industrial Mercmaster™ LED Generation 3 Series Luminaires For Ordinary Locations

NEC/CEC:
cULus Listed
Type 3R, 4, 4X
IP66/IP67
Suitable for Use in Wet Locations
Marine Outside Type (Salt Water) for USA only

Accessories and Replacement Parts

	Description Weight in kg (lbs)	Catalog Number NEC/CEC
Globes and Gaskets		
	Clear Globe (polycarbonate) 0.2 (0.5)	VPGL-LED
	Diffused Globe (polycarbonate) 0.2 (0.5)	VPGL-DIFF
	Glass Globe — Clear 0.8 (1.7)	VPGL-GLASS
	Glass Refractor — NEMA Type V Light Distribution 2.3 (5.2)	LPG-R5
Globe Guards and Safety Chain		
	Globe Guard 0.2 (0.4)	MGU1
	Refractor Guard 0.4 (0.9)	KRG2
	Safety Cable 0.2 (0.4)	LEDSC
Drain Plug		
	3" long, 1/2" trade size drain assembly used to divert water existing in the conduit system 0.4 (0.9)	LEDDR3

NEC/CEC ENCLOSED AND GASKETED — AREA




APPLETON™

Industrial Mercmaster™ LED Generation 3 Series Luminaires

For Ordinary Locations

NEC/CEC:
 cULus Listed
 Type 3R, 4, 4X
 IP66/IP67
 Suitable for Use in Wet Locations
 Marine Outside Type (Salt Water) for USA only

Replacement Drivers

	Voltage	Driver Wattage	Luminaire Model	Constant Current Settings	Catalog Number
	BU	50 Watt	IMLGL3	500mA	APMS050C135UD50
	BH			500mA	APMS050C135HD50
	BU	50 Watt	IMLGL5	780mA	APMS050C135UD78
	BH			780mA	APMS050C135HD78
	BU	100 Watt	IMLGL7	360mA	APMS100C105UD36
	BH			360mA	APMS100C105HD36
	BU	100 Watt	IMLGH9	480mA	APMS100C105UD48
	BH			480mA	APMS100C105HD48
	BU	100 Watt	IMLGH1	595mA	APMS100C105UD59
	BH			595mA	APMS100C105HD59
	BU	150 Watt	IMLGH3	720mA	APMS150C105UD72
	BH			720mA	APMS150C105HD72
	BU	150 Watt	IMLGH6	900mA	APMS150C105UD90
	BH			900mA	APMS150C105HD90

Luminaire Weights

Model Number	Lumen Outputs	Weight in kg (lbs)
IMLGL3	3500	9.2 (20.3)
IMLGL5	5500	9.2 (20.3)
IMLGL7	7500	9.2 (20.3)
IMLGH9	9500	12.0 (26.4)
IMLGH1	11,500	12.0 (26.4)
IMLGH3	14,500	12.0 (26.4)
IMLGH6	17,500	12.0 (26.4)

NEC/CEC ENCLOSED AND GASKETED – AREA

APPLETON™

Industrial Mercmaster™ LED Generation 3 Series Luminaires

For Ordinary Locations

NEC/CEC:

cULus Listed

Type 3R, 4, 4X

IP66/IP67


Suitable for Use in Wet Locations

Marine Outside Type (Salt Water) for USA only

Factory Installed Photocontrol

To order photocontrol already installed on luminaire use the catalog numbering guide.

To only order the photocontrol and mounting hood together use the part numbers below.

	Voltage Range	Max VA	Max Current Amps	Suffix Designation Catalog Number
Photocontrol in FS Cover for Use with FS/FD Box				
<i>Supplied with two stainless steel screws. For neoprene gasket, order catalog number FS-GKR-1N.</i>				
	120V, 50/60 Hz	1000	8.3 Amp	FSKA-PC120D2
	208 V, 50/60 Hz	1000	4.8 Amp	
	240 V, 50/60 Hz	1000	4.2 Amp	FSKA-PC247D2
	277 V, 50/60 Hz	1000	3.6 Amp	

Photocontrol Top Hats

Mounting Hood	Hub Size	Photocontrol Option	Catalog Number
Pendant	3/4" NPT	120V	KPA75PC12D2
Pendant	3/4" NPT	208V, 240V, 277V	KPA75PC24D2
Pendant	1" NPT	120V	KPA100PC12D2
Pendant	1" NPT	208V, 240V, 277V	KPA100PC24D2
Wall	3/4" NPT	120V	KPWB75PC12D2
Wall	3/4" NPT	208V, 240V, 277V	KPWB75PC24D2
Wall	1" NPT	120V	KPWB100PC12D2
Wall	1" NPT	208V, 240V, 277V	KPWB100PC24D2
25 Stanchion	1-1/4" NPT stanchion	120V	KPS125PC12D2
25 Stanchion	1-1/4" NPT stanchion	208V, 240V, 277V	KPS125PC24D2
25 Stanchion	1-1/2" NPT stanchion	120V	KPS150PC12D2
25 Stanchion	1-1/2" NPT stanchion	208V, 240V, 277V	KPS150PC24D2
90 Stanchion	1-1/4" NPT stanchion	120V	KPST125PC12D2
90 Stanchion	1-1/4" NPT stanchion	208V, 240V, 277V	KPST125PC24D2
90 Stanchion	1-1/2" NPT stanchion	120V	KPST150PC12D2
90 Stanchion	1-1/2" NPT stanchion	208V, 240V, 277V	KPST150PC24D2

NEC/CEC ENCLOSED AND GASKETED – AREA

APPLETON

Industrial Mercmaster™ LED Generation 3 Series Luminaires

For Ordinary Locations

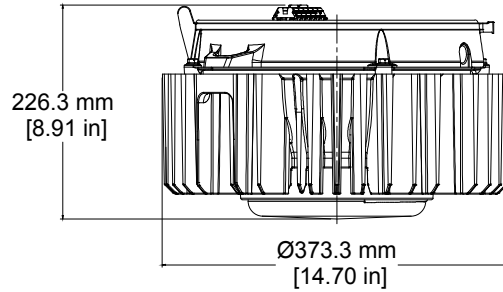
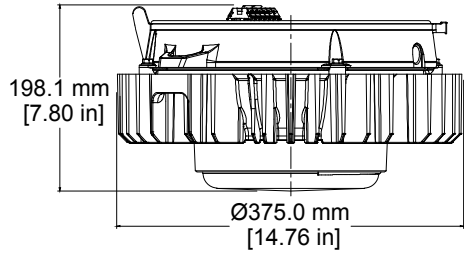
NEC/CEC:
 cULus Listed
 Type 3R, 4, 4X
 IP66/IP67
 Suitable for Use in Wet Locations
 Marine Outside Type (Salt Water) for USA only

Dimensional Drawings

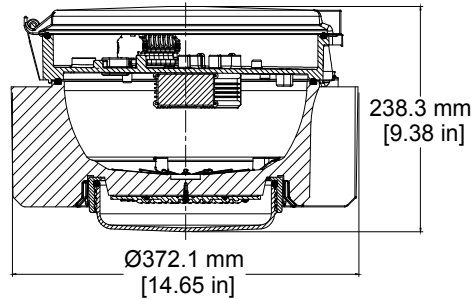
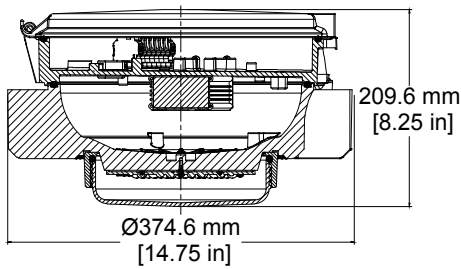
IMLGL3 to IMLGL7

IMLGH9 to IMLGH6

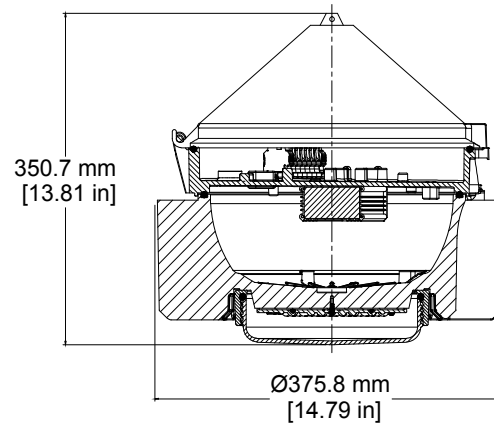
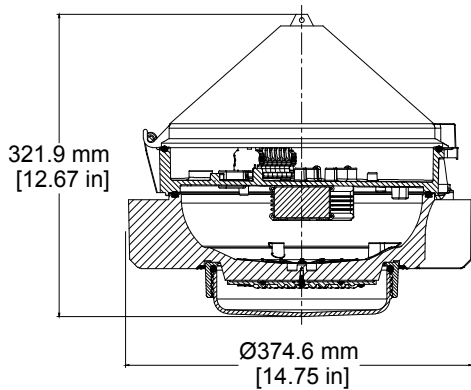
Driver Housing



Pendant



Pendant Cone



NEC/CEC ENCLOSED AND GASKETED – AREA

APPLETON™

Industrial Mercmaster™ LED Generation 3 Series Luminaires

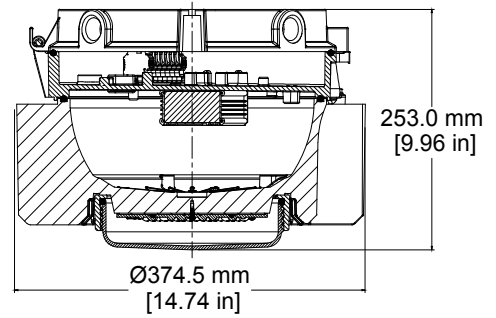
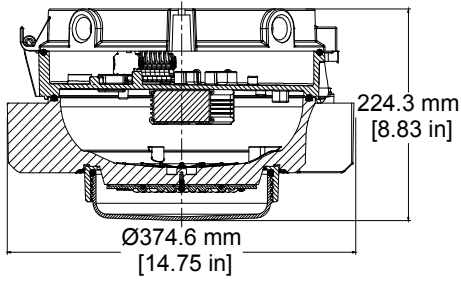
For Ordinary Locations

NEC/CEC:
 cULus Listed
 Type 3R, 4, 4X
 IP66/IP67
 Suitable for Use in Wet Locations
 Marine Outside Type (Salt Water) for USA only

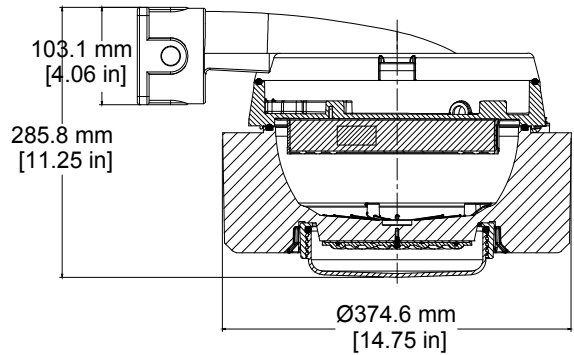
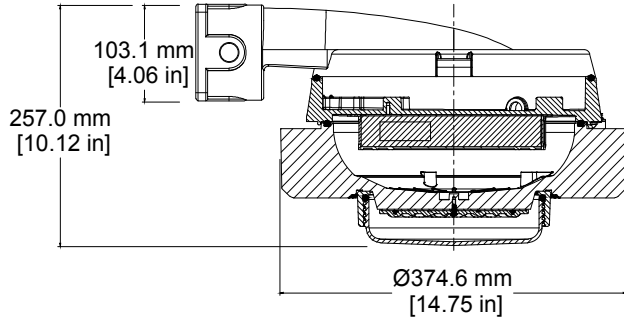
Dimensional Drawings

IMLGL3 to IMLGL7	IMLGH9 to IMLGH6
------------------	------------------

Ceiling



Wall Mount



NEC/CEC ENCLOSED AND GASKETED – AREA

APPLETON

Industrial Mercmaster™ LED Generation 3 Series Luminaires

For Ordinary Locations

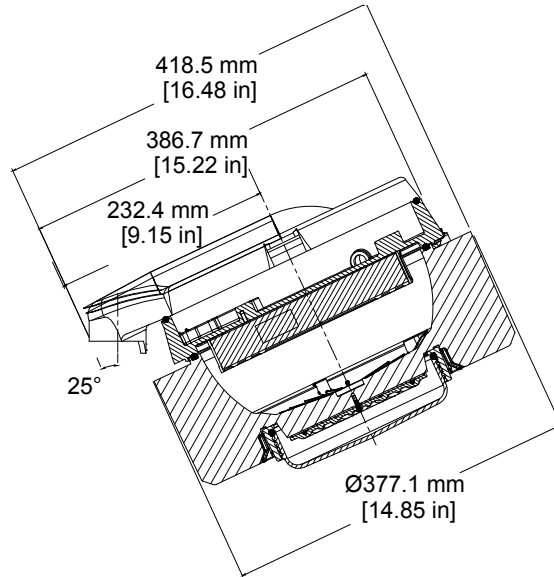
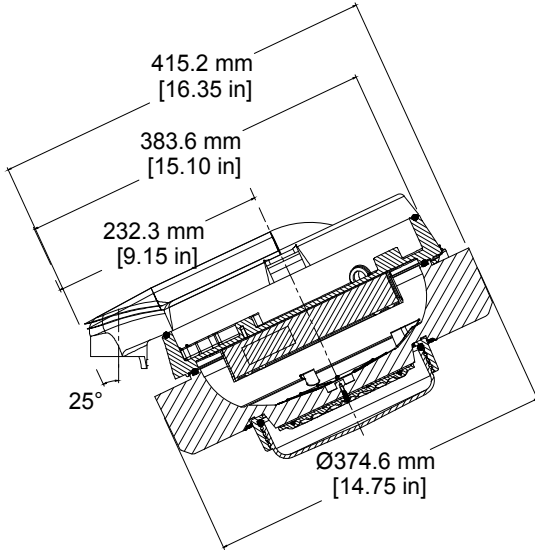
NEC/CEC:
 cULus Listed
 Type 3R, 4, 4X
 IP66/IP67
 Suitable for Use in Wet Locations
 Marine Outside Type (Salt Water) for USA only

Dimensional Drawings

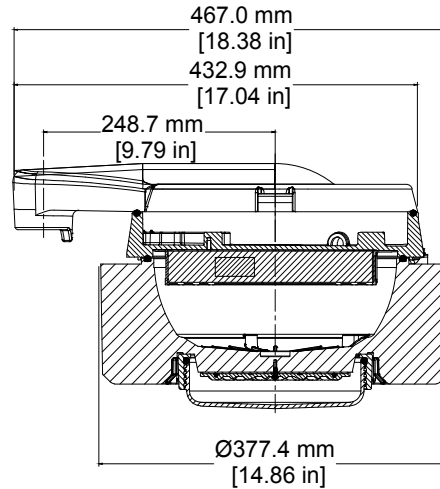
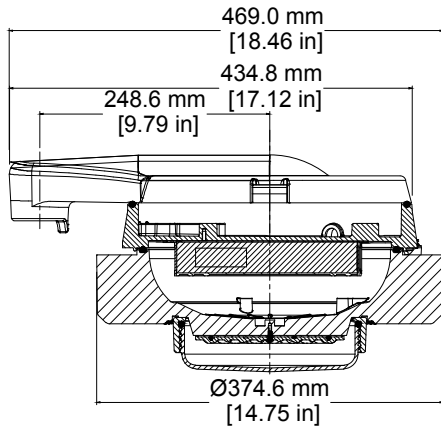
IMLGL3 to IMLGL7

IMLGH9 to IMLGH6

25 Degree Stanchion



90 Degree Stanchion



NEC/CEC ENCLOSED AND GASKETED - AREA

APPLETON™

Industrial Mercmaster™ LED Generation 3 Series Luminaires

For Ordinary Locations

NEC/CEC:
 cULus Listed
 Type 3R, 4, 4X
 IP66/IP67
 Suitable for Use in Wet Locations
 Marine Outside Type (Salt Water) for USA only

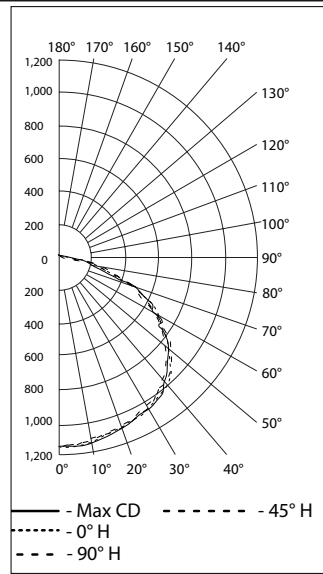
Photometric Data — DATA SHOWN IS ABSOLUTE

Type V, Clear Polycarbonate 5000K CCT

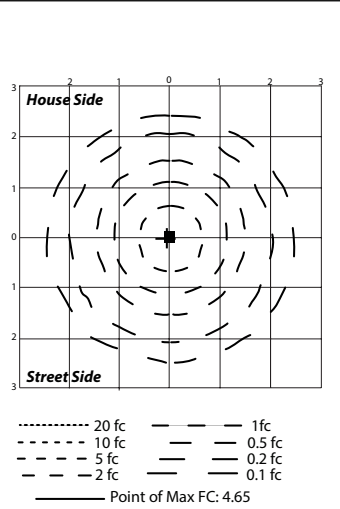
REPORT NUMBER: IMLGAL33CP5

Luminaire Lumens 3,783

POLAR CANDELA DISTRIBUTION



ISOFOOT CANDLE PLOT



ZONAL LUMEN SUMMARY

Zone	Lumens	% Luminaire
0-30	942.7	24.9%
0-40	1,591.7	42.1%
0-60	2,979.8	78.8%
60-90	788.2	20.8%
70-100	271.6	7.2%
90-120	13.9	0.4%
0-90	3,768.1	99.6%
90-180	15.1	0.4%
0-180	3,783.2	100%

LUMENS PER ZONE

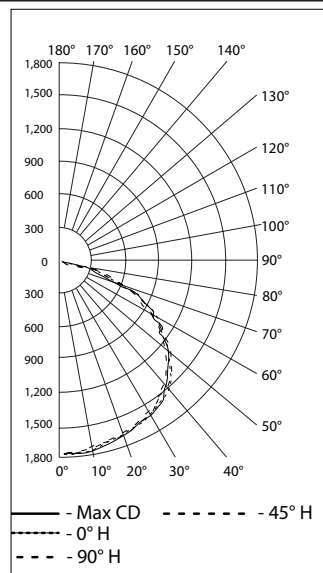
Zone	Lumens	% Total	Zone	Lumens	% Total
0-10	111.3	2.9%	90-100	5.9	0.2%
10-20	322.9	8.5%	100-110	4.8	0.1%
20-30	508.4	13.4%	110-120	3.2	0.1%
30-40	649.0	17.2%	120-130	0.8	0%
40-50	713.0	18.8%	130-140	0.1	0%
50-60	675.1	17.8%	140-150	0.1	0%
60-70	522.5	13.8%	150-160	0.2	0%
70-80	221.7	5.9%	160-170	0.1	0%
80-90	44.1	1.2%	170-180	0.0	0%

Type V, Clear Polycarbonate 5000K CCT

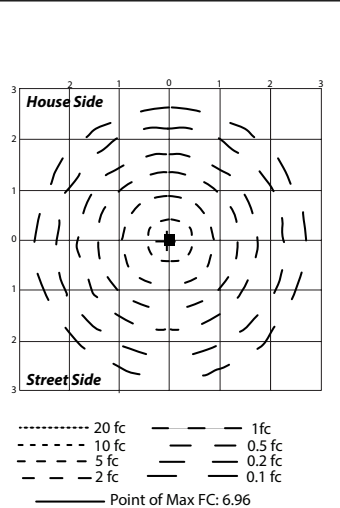
REPORT NUMBER: IMLGAL53CP5

Luminaire Lumens 5,660

POLAR CANDELA DISTRIBUTION



ISOFOOT CANDLE PLOT



ZONAL LUMEN SUMMARY

Zone	Lumens	% Luminaire
0-30	1,410.3	24.9%
0-40	2,381.3	42.1%
0-60	4,457.9	78.8%
60-90	1,179.2	20.8%
70-100	406.4	7.2%
90-120	20.7	0.4%
0-90	5,637.2	99.6%
90-180	22.7	0.4%
0-180	5,659.8	100%

LUMENS PER ZONE

Zone	Lumens	% Total	Zone	Lumens	% Total
0-10	166.5	2.9%	90-100	8.8	0.2%
10-20	483.1	8.5%	100-110	7.1	0.1%
20-30	760.6	13.4%	110-120	4.8	0.1%
30-40	971.0	17.2%	120-130	1.2	0%
40-50	1,066.7	18.8%	130-140	0.1	0%
50-60	1,010.0	17.8%	140-150	0.2	0%
60-70	781.6	13.8%	150-160	0.2	0%
70-80	331.7	5.9%	160-170	0.2	0%
80-90	65.9	1.2%	170-180	0.1	0%

NEC/CEC ENCLOSED AND GASKETED — AREA

APPLETON

Industrial Mercmaster™ LED Generation 3 Series Luminaires

For Ordinary Locations

NEC/CEC:
 cULus Listed
 Type 3R, 4, 4X
 IP66/IP67
 Suitable for Use in Wet Locations
 Marine Outside Type (Salt Water) for USA only

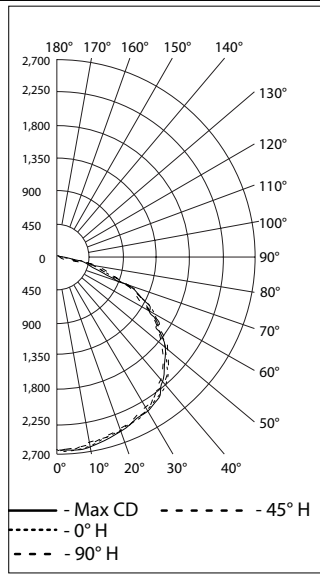
Photometric Data — DATA SHOWN IS ABSOLUTE

Type V, Clear Polycarbonate 5000K CCT

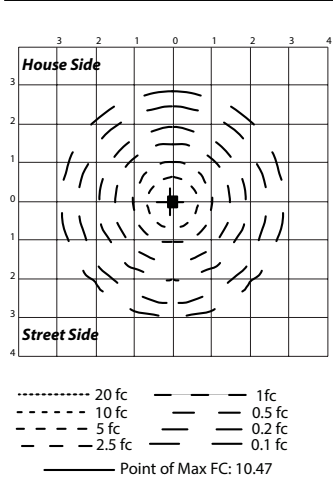
REPORT NUMBER: IMLGAL73CP5

Luminaire Lumens 8,524

POLAR CANDELA DISTRIBUTION



ISOFOOT CANDLE PLOT



ZONAL LUMEN SUMMARY

Zone	Lumens	% Luminaire
0-30	2,123.9	24.9%
0-40	3,586.2	42.1%
0-60	6,713.7	78.8%
60-90	1,775.9	20.8%
70-100	612.0	7.2%
90-120	31.2	0.4%
0-90	8,489.6	99.6%
90-180	34.1	0.4%
0-180	8,523.7	100%

LUMENS PER ZONE

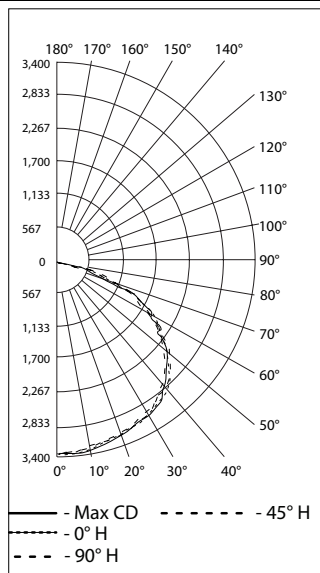
Zone	Lumens	% Total	Zone	Lumens	% Total
0-10	250.8	2.9%	90-100	13.2	0.2%
10-20	727.6	8.5%	100-110	10.8	0.1%
20-30	1,145.5	13.4%	110-120	7.2	0.1%
30-40	1,462.3	17.2%	120-130	1.7	0%
40-50	1,606.4	18.8%	130-140	0.1	0%
50-60	1,521.0	17.8%	140-150	0.3	0%
60-70	1,177.1	13.8%	150-160	0.4	0%
70-80	499.5	5.9%	160-170	0.3	0%
80-90	99.3	1.2%	170-180	0.1	0%

Type V, Clear Polycarbonate 5000K CCT

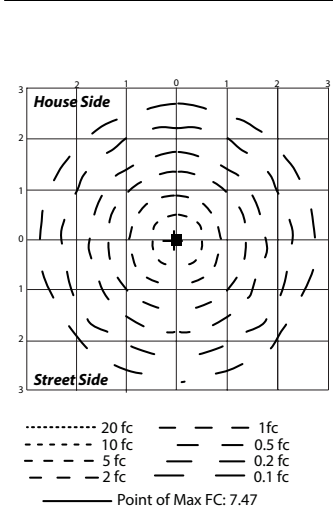
REPORT NUMBER: IMLGAH93CP5

Luminaire Lumens 10,845

POLAR CANDELA DISTRIBUTION



ISOFOOT CANDLE PLOT



ZONAL LUMEN SUMMARY

Zone	Lumens	% Luminaire
0-30	2,709.1	25%
0-40	4,571.0	42.1%
0-60	8,535.2	78.7%
60-90	2,272.7	21%
70-100	806.0	7.4%
90-120	33.3	0.3%
0-90	10,808.0	99.7%
90-180	37.2	0.3%
0-180	10,845.2	100%

LUMENS PER ZONE

Zone	Lumens	% Total	Zone	Lumens	% Total
0-10	319.9	2.9%	90-100	17.5	0.2%
10-20	928.5	8.6%	100-110	9.9	0.1%
20-30	1,460.7	13.5%	110-120	5.9	0.1%
30-40	1,861.9	17.2%	120-130	1.6	0%
40-50	2,042.3	18.8%	130-140	0.7	0%
50-60	1,922.0	17.7%	140-150	0.6	0%
60-70	1,484.2	13.7%	150-160	0.5	0%
70-80	649.2	6.0%	160-170	0.3	0%
80-90	139.3	1.3%	170-180	0.1	0%

NEC/CEC ENCLOSED AND GASKETED — AREA

APPLETON™

Industrial Mercmaster™ LED Generation 3 Series Luminaires

For Ordinary Locations

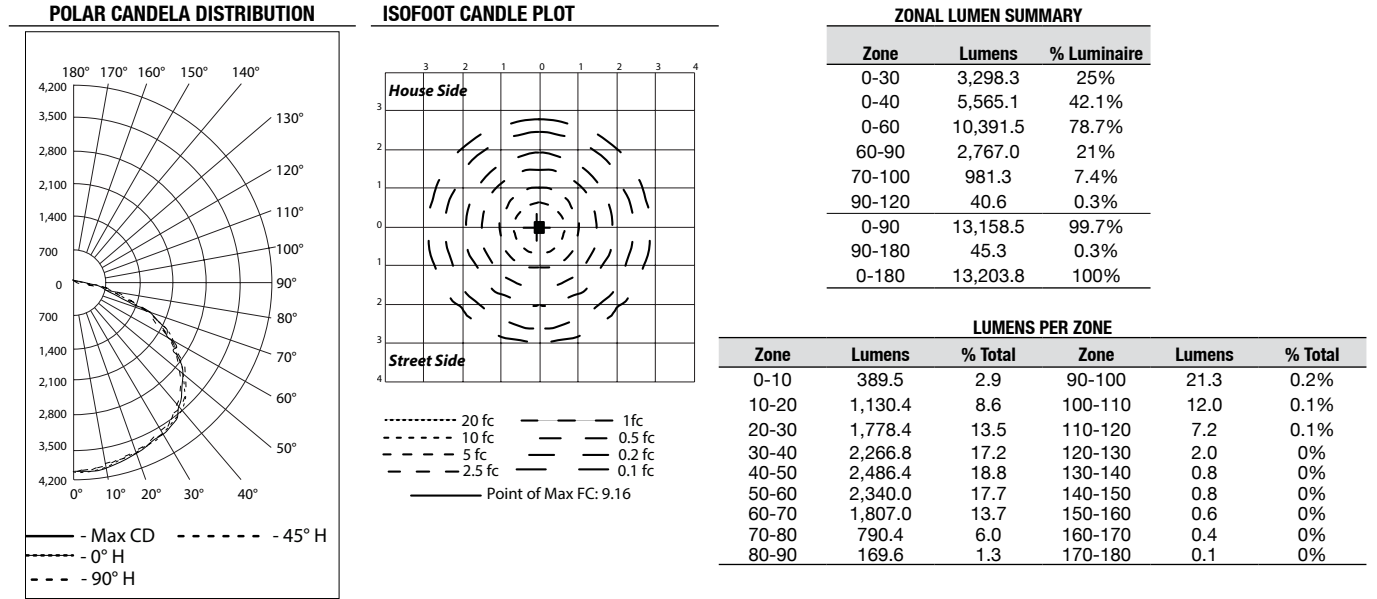
NEC/CEC:
 cULus Listed
 Type 3R, 4, 4X
 IP66/IP67
 Suitable for Use in Wet Locations
 Marine Outside Type (Salt Water) for USA only

Photometric Data — DATA SHOWN IS ABSOLUTE

Type V, Clear Polycarbonate 5000K CCT

REPORT NUMBER: IMLGAH13CP5

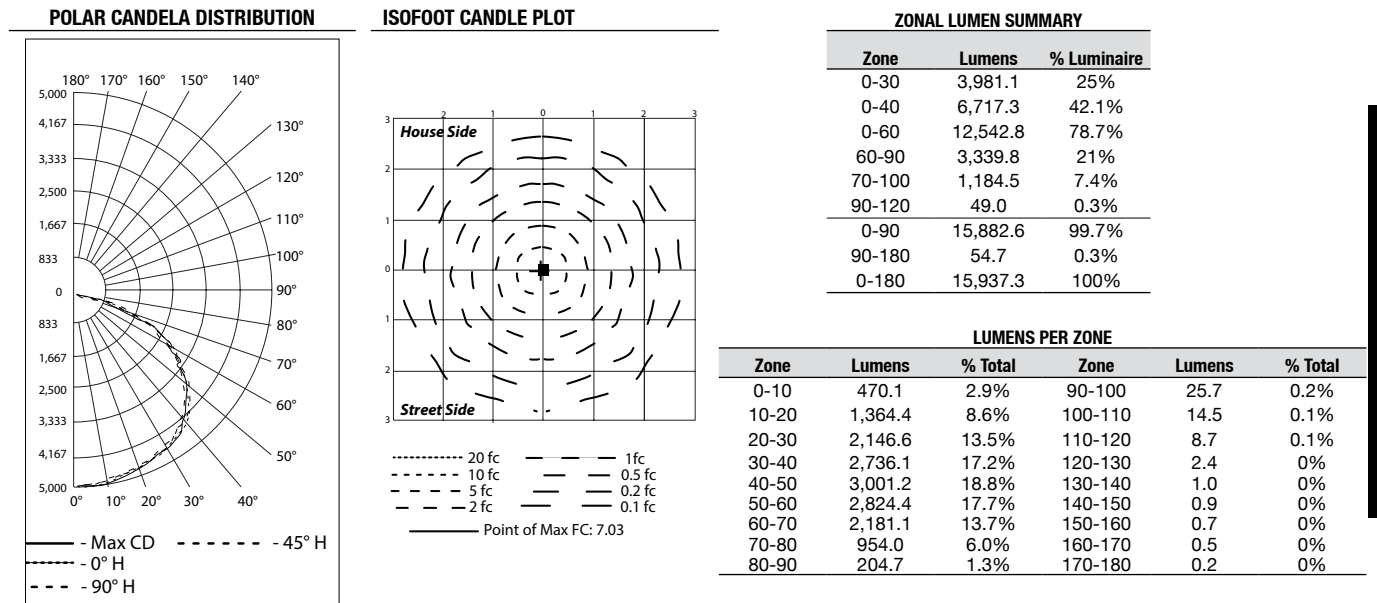
Luminaire Lumens 13,204



Type V, Clear Polycarbonate 5000K CCT

REPORT NUMBER: IMLGAH33CP5

Luminaire Lumens 15,937



Industrial Mercmaster™ LED Generation 3 Series Luminaires

For Ordinary Locations

NEC/CEC:
 cULus Listed
 Type 3R, 4, 4X
 IP66/IP67
 Suitable for Use in Wet Locations
 Marine Outside Type (Salt Water) for USA only

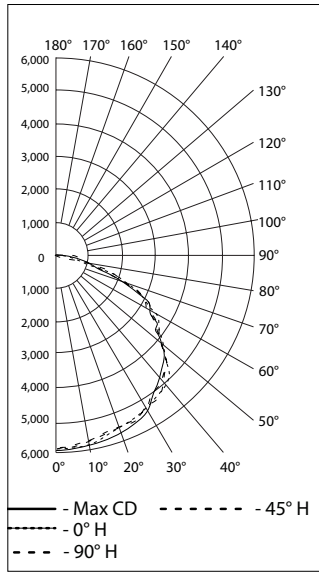
Photometric Data — DATA SHOWN IS ABSOLUTE

Type V, Clear Polycarbonate 5000K CCT

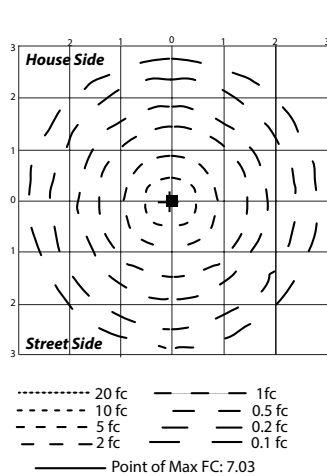
REPORT NUMBER: IMLGAH63CP5

Luminaire Lumens 19,107

POLAR CANDELA DISTRIBUTION



ISOFOOT CANDLE PLOT



Zone	Lumens	% Luminaire
0-30	4,772.9	25%
0-40	8,053.1	42.1%
0-60	15,037.2	78.7%
60-90	4,004.0	21%
70-100	1,420.0	7.4%
90-120	58.7	0.3%
0-90	19,041.2	99.7%
90-180	65.7	0.3%
0-180	19,107.0	100%

LUMENS PER ZONE

Zone	Lumens	% Total	Zone	Lumens	% Total
0-10	563.6	2.9%	90-100	30.8	0.2%
10-20	1,635.8	8.6%	100-110	17.4	0.1%
20-30	2,573.5	13.5%	110-120	10.5	0.1%
30-40	3,280.3	17.2%	120-130	2.9	0%
40-50	3,598.0	18.8%	130-140	1.3	0%
50-60	3,386.1	17.7%	140-150	1.2	0%
60-70	2,614.9	13.7%	150-160	0.9	0%
70-80	1,143.7	6.0%	160-170	0.6	0%
80-90	245.5	1.3%	170-180	0.2	0%

NEC/CEC ENCLOSED AND GASKETED — AREA

APPLETON™

Complete IES files can be found on Appleton's website.
 Visit Masteringled.com for more information on Mercmaster™ LED Generation 3 Series